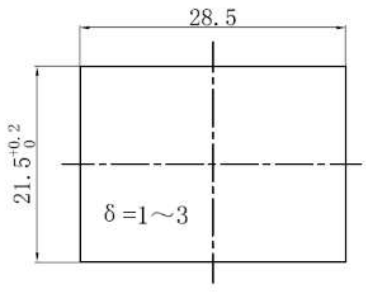
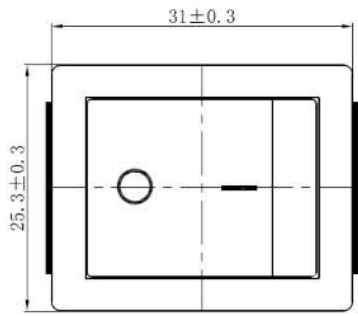
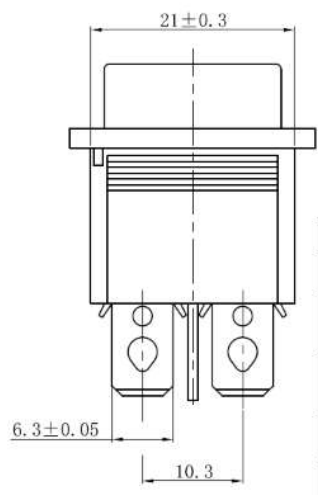
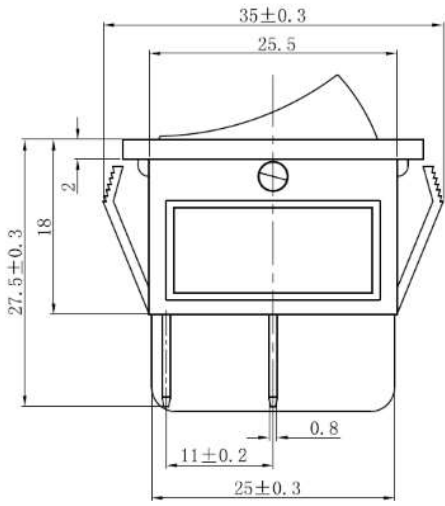


Datenblatt Wippschalter (Rocker Switch) Serie KCD 2



KCD - 2 - 2 01 N W L - C3 - R B - 220V

Series	Poles	Function	Lamp	Actuator	Terminals	Marking	Actuator Color	Housing Color	Lamp Volt
1	1 pole 1 button	01 ON-OFF	No Mark	No lamp	No Mark	C1	B Black	B Black	3V
2	2 pole 1 button	02 ON-ON	N	Lens illuminated	D	C2	W White	W White	6V
21	2 pole 2 button	03 ON-OFF-ON	EN	Dot illuminated	L	C3	R Red	R Red	12V
3	3 pole 1 button	11 (ON)-OFF	No Mark	C shape	S	C4	G Green	G Green	24V
31	3 pole 3 button	12 (ON)-ON	W	Waterproof	T	C5	Y Yellow	Y Yellow	48V
		13 (ON)-OFF-ON	H	High Actuator		C6	BL Blue	BL Blue	110V
		23 (ON)-OFF-ON	V	V shape		C7	O Orange	O Orange	220V
						C8	GR Gray	GR Gray	
						C9	C Coffee	C Coffee	
						C10			
						CX			



PANEL CUT-OUT

The Main Technology Performance

Item	Parameter
Circuit	
Rated voltage	16A 250V AC
Rated current	20A 125V AC
Insulated resistance	≥100MΩ
Contact resistance	≤50mΩ
Dielectric strength	≥1500V AC/5S
Operating Temperature	T85
Electrical Life	≥10000 Cycles