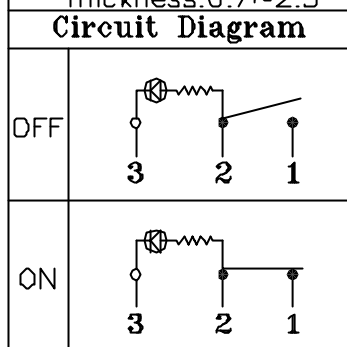
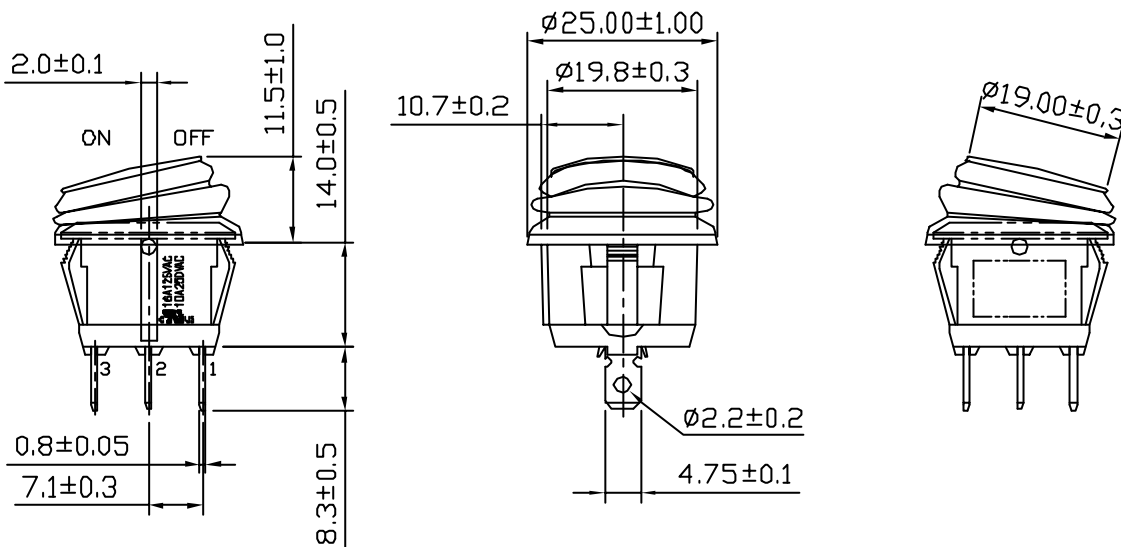
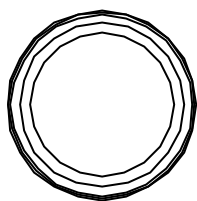


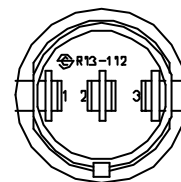
Rating	10A 24VDC	<p style="text-align: center;"><b>Mounting Hole</b></p>
Contact Resistance	50m ohm Max.	
Insulation Resistance	DC 500V 100M ohm Min.	
Dielectric Strength	AC 1500V 1 minute	
Operation Temperature	-20°~85°	
Switch Function	3P SPST ON-OFF (LED)	



\*MATERIAL:  
 Frame: Nylon 66  
 Actuator: PC  
 Waterproof rubber: Silicone  
 Terminals: Silver plated, Copper alloy  
 Hot Stamping: None  
 Waterproof: IP65



COLOR	Frame	Actuator	Waterproof rubber
SCI No. 1824022	Black	Yellow clear	Black
1824023	Black	Blue clear	Black
1824024	Black	Green clear	Black



CB\R13\R13-112B8W-02(1824022,023,024)

								△
								△
<b>Date</b>	<b>Name</b>	<b>Description</b>				REV.	0	NO
<b>Drawn</b>	<b>Checked</b>	<b>Approved</b>	<b>SCI BOM NO.</b>	SEE TABLE	<b>Model Name</b>	ROCKER SWITCH		
曹盈芳	王佰山	李景煌	<b>Customer No.</b>		<b>Model No.</b>	R13-112B8W-02	<b>REV.</b>	
09/20/'07	09/20/'07	09/20/'07	<b>Unit</b>	mm	SHIN CHIN INDUSTRIAL CO., LTD.			0