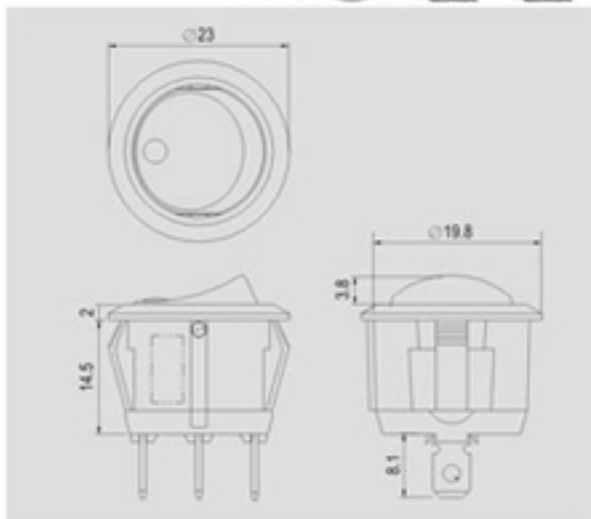


# R13-112



Rating
16A 125V AC 10A 250V AC
Contact resistance
50mΩ Max
Insulation resistance
DC 500V 100MΩ Min
Dielectric strength
AC 1500V 1 minute
Cut-out
 2-3.0 mm max
Cut-out for X8 ROCKER
 0.7-3.0 mm max
 0.7-2.5 mm max

## FEATURES

- \* MATERIAL: Frames are nylon (UL flame: 94V-2). Terminals are silver plated brass.
- \* Illuminated actuators are molded in PC, available with red, amber and green colors.
- \* Snap-in mounting, easy to install switch into panel.
- \* Waterproof cover is optional, except LP & BP type.
- \* The dimension of frame is 14.5mm, for shorter one, please refer to page.1-51 item no. R13-208.
- \* R13-112B9,R13-112B9F: LED with PCB inside for AC rating.



## Ordering number instruction

R13-112    -   

FUNCTION					TERMINAL
<b>Different button (按鈕不同)</b>					0 2 <span style="border: 1px solid black; padding: 2px;">  </span> .187" SQ
<b>A</b>	<b>A 2</b>	<b>A 5</b>	<b>A P</b>		
 ON OFF 2P SPST	 ON OFF 2P SPST	 ON OFF 2P SPST (Gloss Finish)	 ON OFF 2P SPST		
<b>Illuminated / Different button (帶燈/按鈕不同)</b>					
<b>B</b>	<b>B 2</b>	<b>B 9</b>	<b>B 10</b>	<b>B P</b>	
 ON OFF 3P SPST (NEON) 125VAC 33KΩ / 250VAC 150KΩ	 ON OFF 3P SPST (NEON) 125VAC 33KΩ / 250VAC 150KΩ	 ON OFF 3P SPST (W/O Lens) (LED) LED Rating @ 10mA V <sub>f</sub> =1.85V	 ON OFF 3P SPST (LED) LED Rating @ 10mA V <sub>f</sub> =1.85V	 ON OFF 3P SPST (NEON) 125VAC 33KΩ / 250VAC 150KΩ	
<b>Momentary / Illuminated / Different button (彈回/帶燈/按鈕不同)</b>					
<b>B F</b>	<b>B 2 F</b>	<b>B 9 F</b>			
 (ON) OFF 3P SPST (NEON) 125VAC 33KΩ / 250VAC 150KΩ	 (ON) OFF 3P SPST (NEON) 125VAC 33KΩ / 250VAC 150KΩ	 (ON) OFF 3P SPST (W/O Lens) (LED) LED Rating @ 10mA V <sub>f</sub> =1.85V			
<b>Different position / Different button (動作特性不同/按鈕不同)</b>					
<b>C</b>	<b>C P</b>	<b>D</b>	<b>D P</b>		
 ON ON ON 3P SPDT	 ON ON ON 3P SPDT	 ON OFF ON 3P SPDT	 ON OFF ON 3P SPDT		
<b>Momentary (彈回)</b>					
<b>E</b>	<b>F</b>	<b>G</b>	<b>H</b>	<b>I</b>	
 ON (OFF) 2P SPST	 (ON) OFF 2P SPST	 ON ON ON 3P SPDT	 ON OFF ON 3P SPDT	 (ON) OFF (ON) 3P SPDT	
<b>Independent circuit / Different button (獨立通路/按鈕不同)</b>					
<b>L</b>	<b>L P</b>	<b>L F</b>			
 ON OFF 4P SPST (LED) LED Rating @ 10mA V <sub>f</sub> =1.85V	 ON OFF 4P SPST (LED) LED Rating @ 10mA V <sub>f</sub> =1.85V	 (ON) OFF 4P SPST (LED) LED Rating @ 10mA V <sub>f</sub> =1.85V			
<b>Waterproof (防水)</b>					
<b>A 8</b>	<b>B 8</b>	<b>B 8 F</b>	<b>C 8</b>	<b>D 8</b>	<b>F 8</b>
 ON OFF 2P SPST	 ON OFF 3P SPST (NEON) 125VAC 33KΩ / 250VAC 150KΩ	 ON OFF 3P SPST (NEON) 125VAC 33KΩ / 250VAC 150KΩ	 ON ON ON 3P SPDT	 ON OFF ON 3P SPDT	 (ON) OFF 2P SPST