

# OJ Microline® Touch



## MCD5-1999

- 2" colour touch display
- User-friendly interface
- Energy monitoring
- QR-code read outs
- Compatible with existing floor sensors

**“All-in-one” clock thermostat for electric underfloor heating creates optimal comfort temperature and the lowest possible energy consumption.**

- Easy touch menu navigation
- 12 different language choices
- Set and forget! Adaptive control for comfort temperature when required - prepared for the new EU ECO directive requirements.
- Snap-mount front cover for easy installation
- Compatible with existing floor sensors, making it the best choice for renovations
- Built-in holiday calendar and clock function for automatic comfort and setback
- Automatically adjusts to daylight saving time
- 5-year battery backup of clock and calendar
- QR-code read outs for easy handling and support
- Power measurement for optimal energy management

### Thermostat control

Electronic thermostat for temperature control via a sensor placed either externally in the floor or built into the thermostat.

### Built-in clock/calendar with battery backup

Includes 4- and 6-event program for automatic comfort and setback temperature. Up to 7 different program combinations can be created, where a program consists of working day and home days.

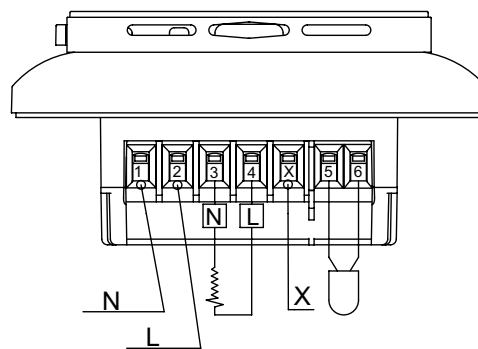
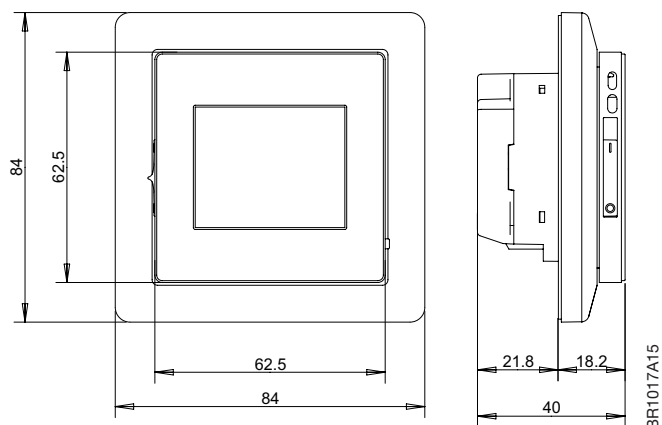
### Colour display

Unique user interface with new menus and touch-based navigation for easy programming and read-outs.



**Intelligent Control**  
Maximum comfort with  
low energy consumption

Save up to 36% CO<sub>2</sub>



BR1017A16

### Monitoring of energy consumption

Total switch-on can be read-out for overall energy consumption monitoring.

### Factory-set of events

The thermostat is delivered with factory-set programs:

#### DAY 1-5 (working days)

EVENT TIME	TEMPERATURE
1 06:00-08:00	Comfort 20 °C
2 08:00-16:00	Setback 15 °C
3 16:00-23:00	Comfort 20 °C
4 23:00-06:00	Setback 15 °C

#### DAY 6-7 (home days)

EVENT TIME	TEMPERATURE
1 06:00-23:00	Comfort 20 °C
4 23:00-06:00	Setback 15 °C

### Individual programming of events

The factory-set periods and/or temperatures can be adjusted as necessary.

### The following programs can also be selected

Choose between 4- or 6-event scheduler.

Up to seven different event program combinations can be used. Choose between method “work-/home-days” or “individual days” programming.

### Comfort mode

The room temperature can be temporarily changed for a selected number of hours. The thermostat will then return to the scheduled event program.

### Manual mode

The scheduled event program can be cancelled for constant temperature operation.

### Holiday mode

Program a planned holiday period and the thermostat will start automatically. The thermostat will automatically set the temperature set point to 5 °C during the entire holiday period programmed.

### Boost mode

Activate a boost period of one hour to rapidly increase the temperature. The thermostat will then return to normal operation.

### Frost protect mode

Frost protection mode can be activated if no heat is needed. (Ensures no frost damages at low temperatures).

### ECO mode

The lowest set point programmed in the schedule will by activating the ECO Mode be used permanently until the ECO Mode is deactivated.

### TECHNICAL DATA

Supply voltage	100-240 V AC, 50/60 Hz
Standby power	< 0.5 W
Output relay SPST	16 A, resistive load or 1 A inductive load
Interrupter	2-pole, 16 A
Floor limit range	+5/+40 °C
Clock function	Up to seven different 4- or 6-event program combinations
Battery backup	Settings forever 5 years for Clock and Calendar
Ambient temperature	0/+40 °C during operation
On/Off differential	0.4 °C
Regulation principle	PWM / PI
Housing	IP21
Standard sensor type	NTC (12 KΩ) 3 m. Thermostat compatible with existing common sensors on the market
Dimensions (H/W/D)	84/84/40 mm (21.8 mm depth)
Display	220 x 176 pixel TFT - Color resistive touch
EU Registered Design	Yes

Approvals: CE, VDE, BEAB, NEMKO