

Features

- For LED Outdoor & Industrial Application
- Wide Input Range for Worldwide use (up to 305Vac)
- Built-in PFC Function: up to PF 0.99
- IP67 Design for Outdoor Installation
- Suitable to Dry, Damp, Wet Location
- High Surge Protection: 6kV/6kV(IEC61000-4-5)
- High Reliability & Long Life 50,000hrs
- Type HL LED Driver for use in Class I Division 2 Hazardous Location Luminaires
- All-Round Protections: Short Circuit/ Over Voltage/ Over Temperature
- Safety: Meet IEC61347-2-13, UL8750 & EMI EN55015



FSP120-FZAE1(500) **MG**
 R Type: IP67 rated with Io & Vo fix
 M Type: IP67 rated with 1-10V, PWM Dimming Function

SPECIFICATION

Model Name	FSP120-FZAE1(230)RG54	FSP120-FZAE1(250)RG48	FSP120-FZAE1(340)RG36	FSP120-FZAE1(500)RG24	
Output	Rated Power	120W	120W	120W	120W
	Output Voltage	54V	48V	36V	24V
	Rated Current	0~2.3A	0~2.55A	0~3.4A	0~5A
	Output Voltage Accuracy	±5%	±5%	±5%	±5%
	Output Ripple & Noise (typ.)[2]	540mVp-p	480mVp-p	360mVp-p	240mVp-p
	Load Regulation	±5%	±5%	±5%	±5%
	Line Regulation	±5%	±5%	±5%	±5%
Turn On Delay Time,Rise time	≤1s max ;≤300ms max				
Input	Input Voltage/ Frequency[3]	90~305Vac/ 47~63Hz (Please refer to Stactic Curve)			
	Power Factor (typ.)	PF ≥ 0.99/120Vac, PF ≥ 0.96/230Vac, PF ≥ 0.95/277Vac at full load			
	Efficiency (max.)	93.5%	93.5%	93.5%	93%
	Total Harmonic Distortion[4]	THD <20% (Output Loading ≥ 50% at 120Vac, Output Loading ≥ 50% at 230Vac, Output Loading ≥ 75% at 277Vac)			
	AC Current (typ.)	≤ 1.5A /100Vac ; ≤ 0.7A /230Vac ; ≤ 0.7A /277Vac			
	Inrush Current (typ.)	≤ 60A at 230Vac, 25°C cold start			
Environment	Leakage Current	≤ 0.75mA/277Vac			
	Operating Temperature	-40°C ~ +70°C (Please Refer to "Derating Curve")			
	Operating Humidity	20~95% RH non-condensing			
	Storage Temperature, Humidity	-40°C~+80°C, 10%~95%RH			
Protection	Vibration	0.02g ² /Hz at 5 Hz sloping to 0.04g ² /Hz at 20 Hz, and maintaining 0.04g ² /Hz from 20 Hz to 500 Hz at a constant acceleration of 4.43G for 30 minutes per axis for all three axes			
	Over Voltage Protection	<80V	<63V	<63V	<35V
	Over Current Protection	<150% Protection Type: Recovers automatically after fault condition is removed			
	Short Circuit Protection	Recovers automatically after fault condition is removed			
	Over Temperature Protection	Recovers automatically after fault condition is removed			
Safety & EMC	Safety Standards	UL8750, Type HL, CSA-C22.2 No. 250.13, EN61347-1, EN61347-2-13 Approved.			
	EMC Standard	Compliant with EN55015/CISPR22 CLASS B, Compliant with EN61000-3-2 Class C (≥60% load), EN61000-3-3			
	Surge Protection	Differential Mode: 6KV; Common Mode: 6KV			
	Withstand Voltage (Hipot)	I/P-O/P 3000Vac, I/P-FG 1500Vac, O/P-FG 500Vac			
	Isolation Resistance	I/P-CASE, O/P-CASE: 25M ohm @ 500Vdc/ 25°C			
Others	Life Time [5]	50,000 hours at Tcase of ≤ 75°C			
	MTBF	200,000 hours, MIL-HDBK-217F(25°C)			
	Dimension (LxWxH)	220 x 68 x 38.8 mm			
	Net Weight / Packing	1100g; 10 pcs/ box			

Notes:

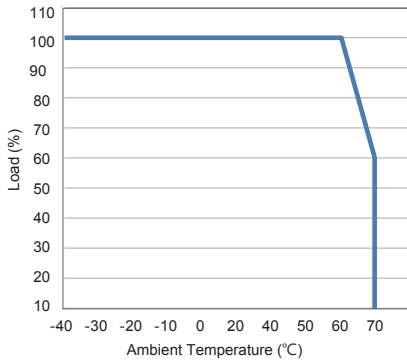
1. All data NOT specially mentioned are measured at 230Vac/ 50Hz input, full load and 25°C of ambient temperature
2. The ripple voltage must be measured under the condition of AC coupling & 20MHz bandwidth and terminated each output with a 47uF capacitor in parallel with a 0.1uF capacitor. (Rated input and rated output)
3. Derating may be needed under low input voltages. Please check the static characteristics for more details
4. Measured at rated output voltage
5. Measured at 230Vac/50Hz input, rated load.
6. The power supply is considered as a component that will be operated in combination with final equipment. Since EMC performance will be affected by the complete installation, the final equipment manufacturers must re-qualify EMC Directive on the complete installation again."



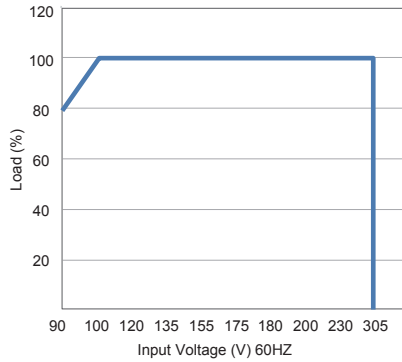
FSP TECHNOLOGY INC.

www.fsp-group.com / sales@fsp-group.com.tw
 NO.22,Jianguo E. Rd., Taoyuan City, Taiwan, R.O.C.
 TEL : +886-3-375-9888 / FAX : +886-3-375-6966

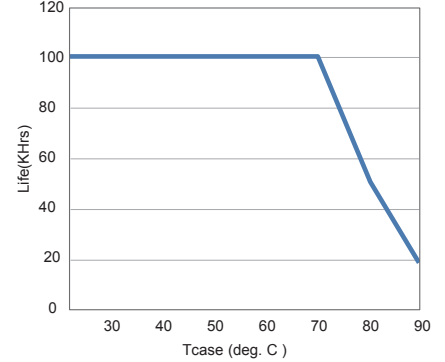
Derating Curve



Static Curve

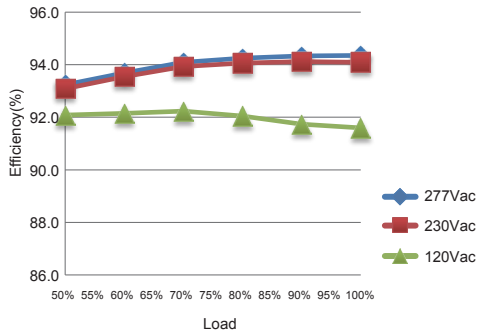


Life Time



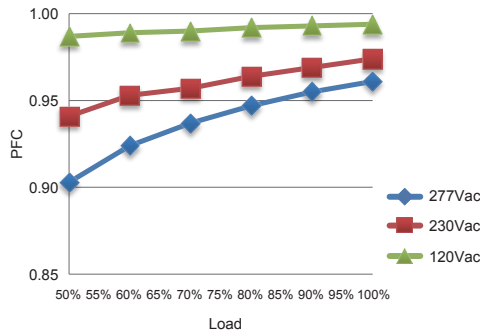
Efficiency

*48V/2.5A Model



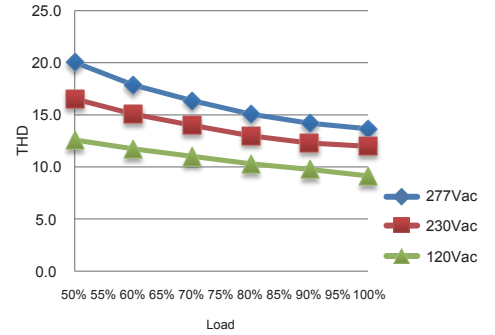
PFC vs Loading

*48V/2.5A Model



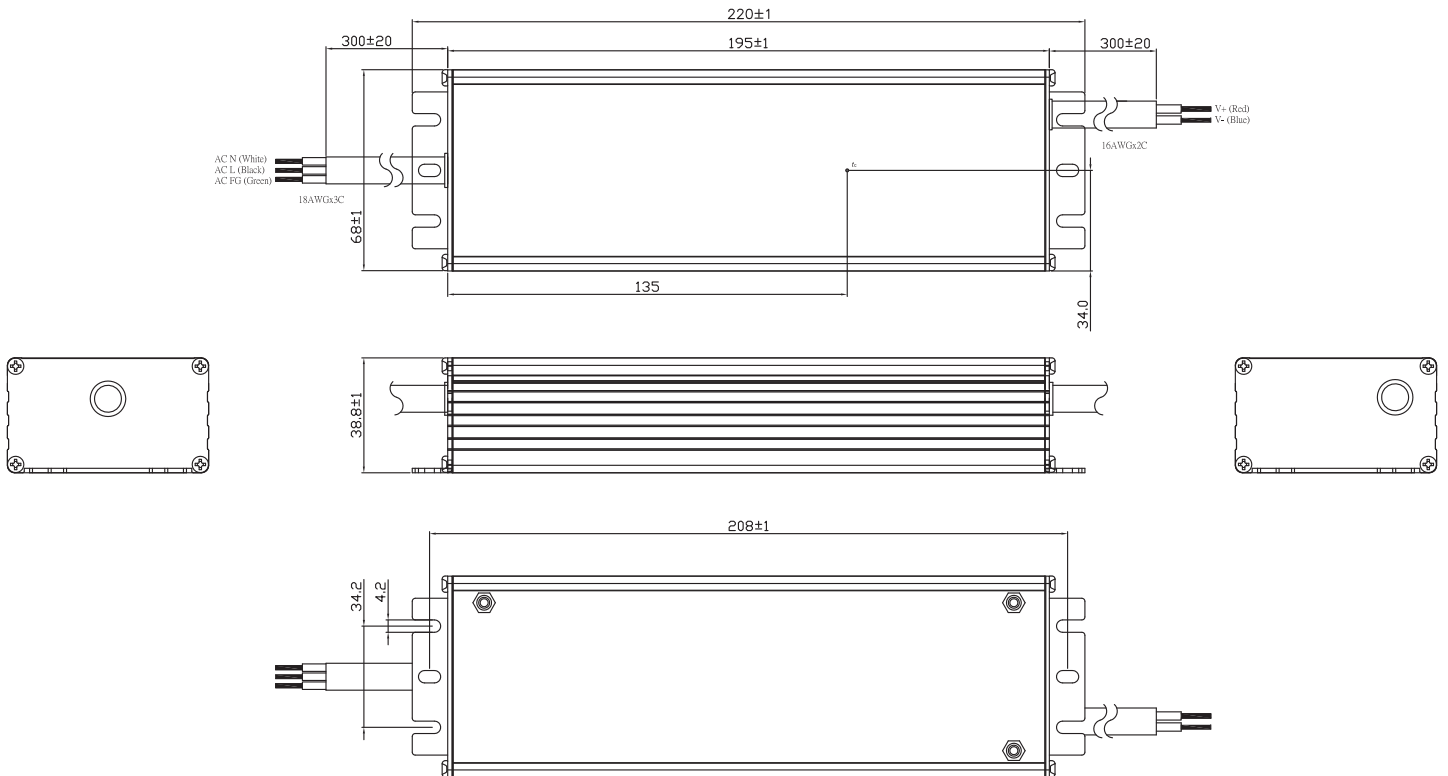
THD vs loading

*48V/2.5A Model



RG Type: FSP120-FZAE1(XXX)RG

Unit: mm

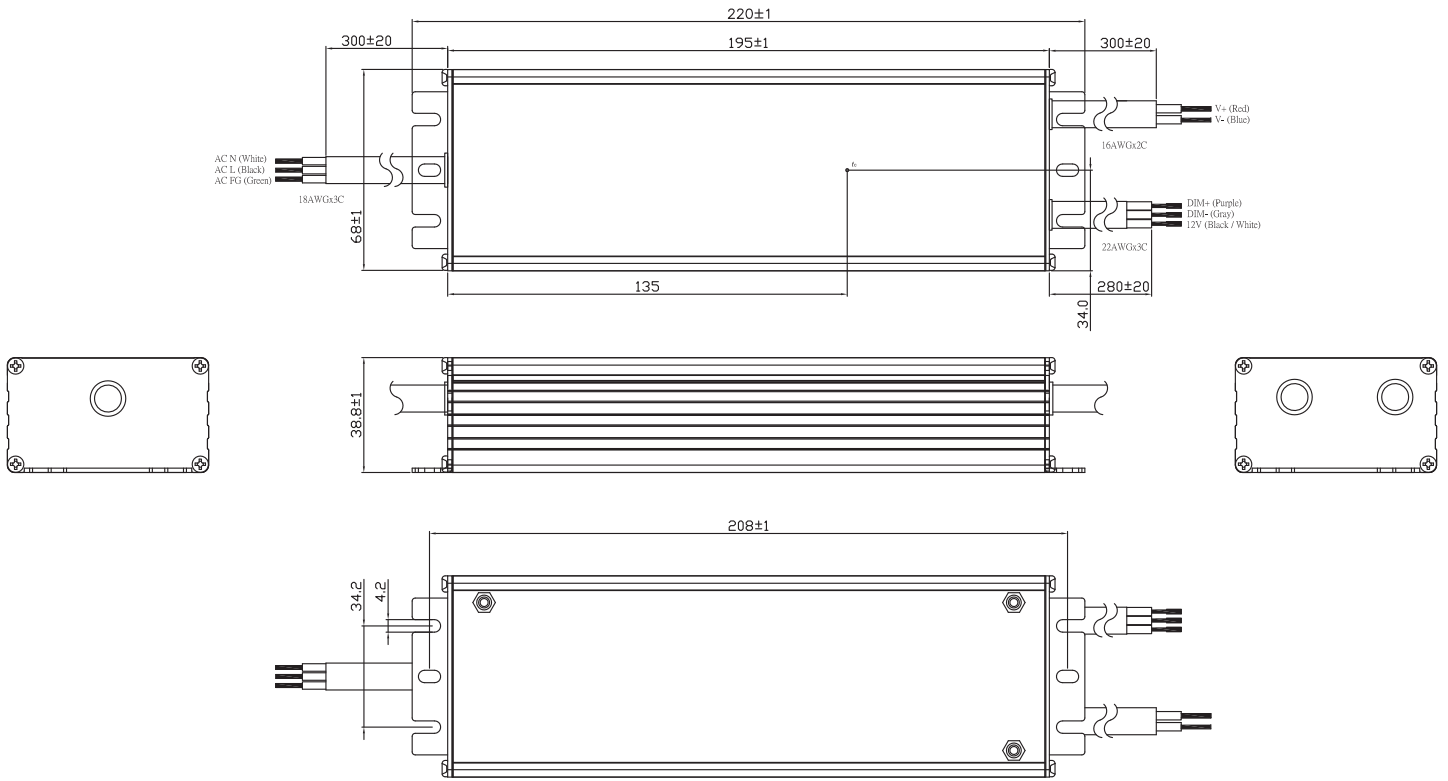


FSP TECHNOLOGY INC.

www.fsp-group.com / sales@fsp-group.com.tw
 NO.22, Jianguo E. Rd., Taoyuan City, Taiwan, R.O.C.
 TEL : +886-3-375-9888 / FAX : +886-3-375-6966

MG Type: FSP120-FZAE1(XXX)MG

Unit: mm



FSP TECHNOLOGY INC.

www.fsp-group.com / sales@fsp-group.com.tw
 NO.22, Jianguo E. Rd., Taoyuan City, Taiwan, R.O.C.
 TEL : +886-3-375-9888 / FAX : +886-3-375-6966