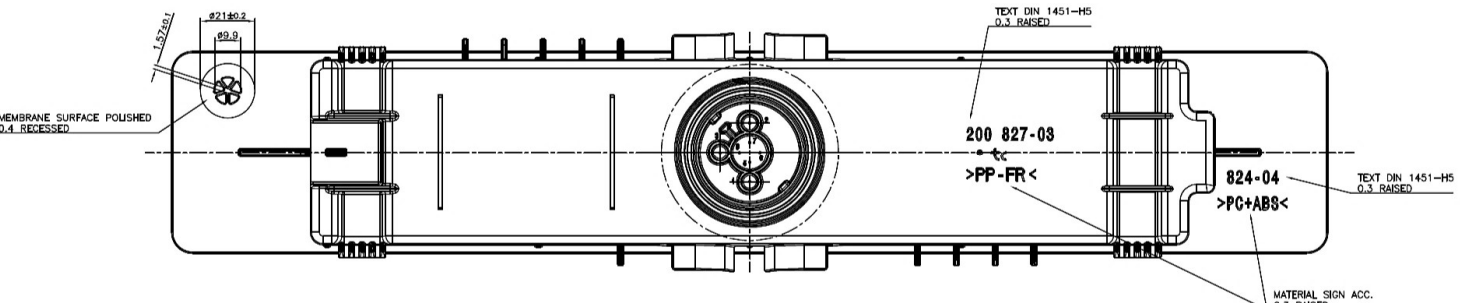
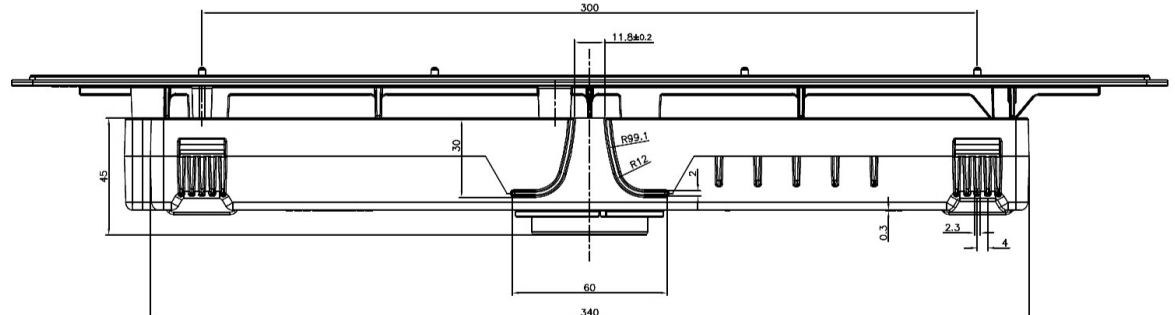
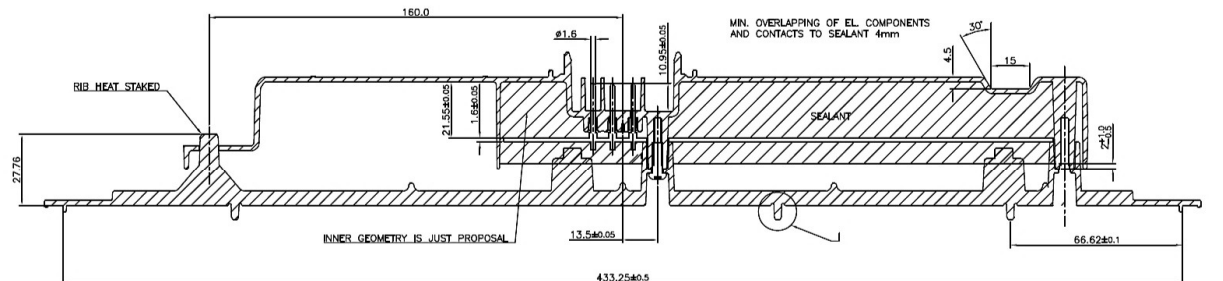
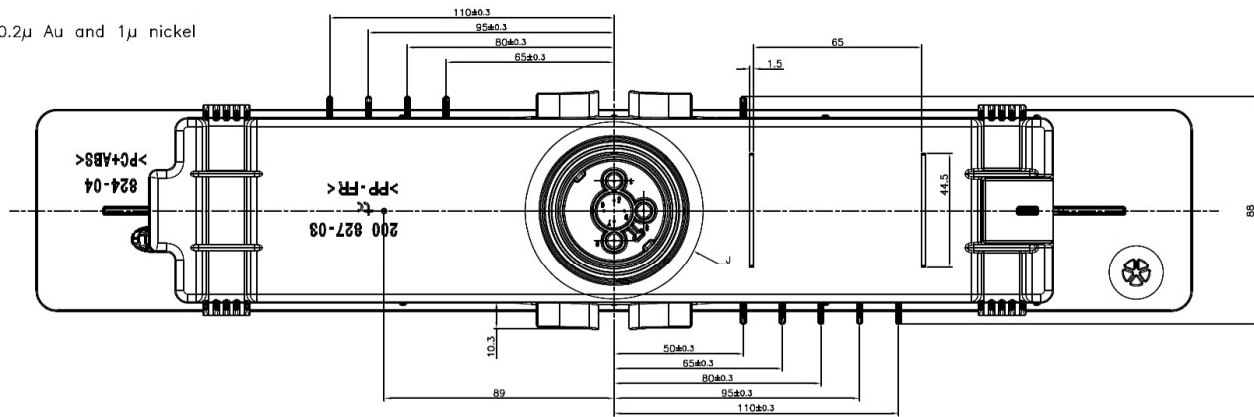
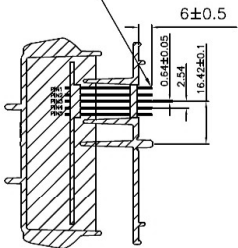


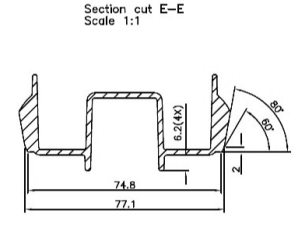
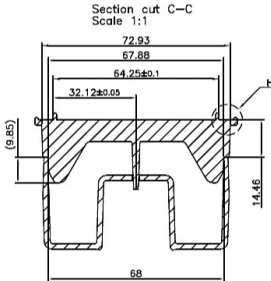
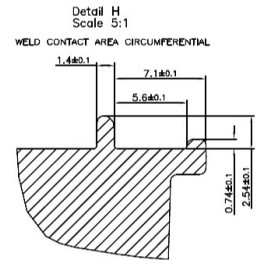
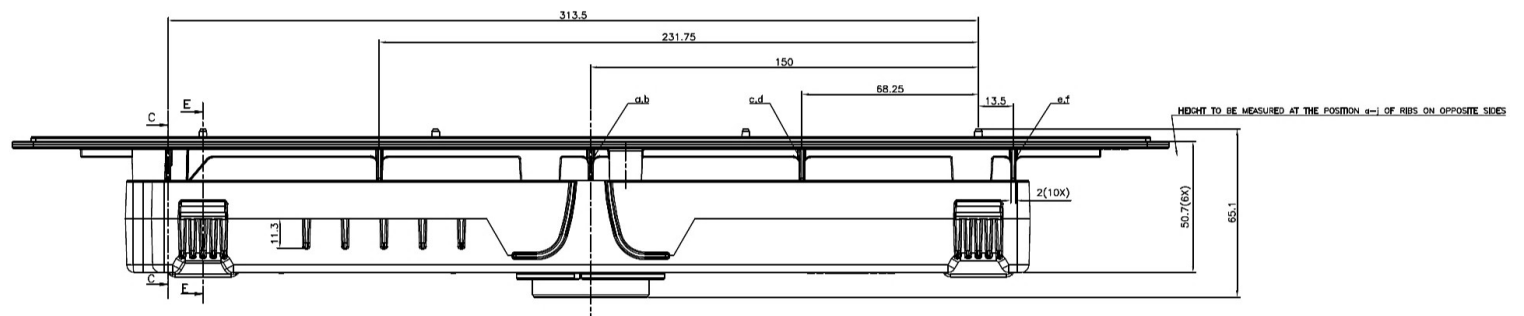
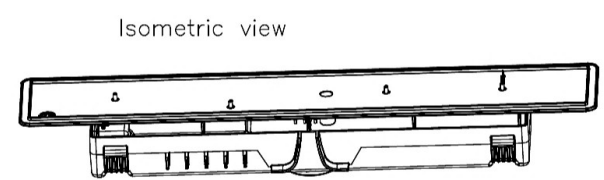
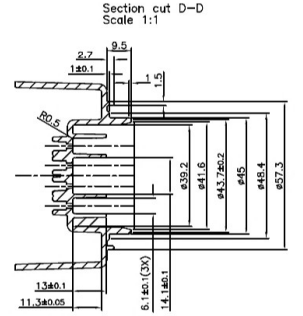
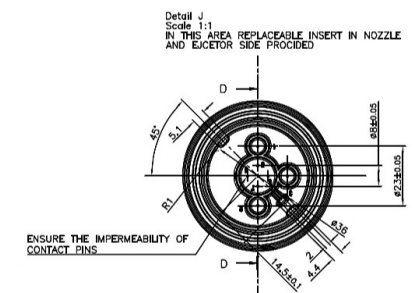
PIN ASSIGNMENT

Pin 1	GND
Pin 2	LED_A
Pin 3	Rcode
Pin 4	LED_K
Pin 5	NTC

CONTACT PLATING: 0.2μ Au and 1μ nickel



Variante VERSION	1	2	3	5	7	6	8
FSP25-2500H 220.897-00							
FSP50-5000H 220.898-00				Tx	N.C	Rx	GND
FSP25-2500HV 220.897-01	L1	L2	N		1-10V		
FSP50-5000HV 220.898-01							
FSP25-2500HD 220.897-02					DALI+		DALI-
FSP50-5000HD 220.898-02							



P/N.: 90P0501000