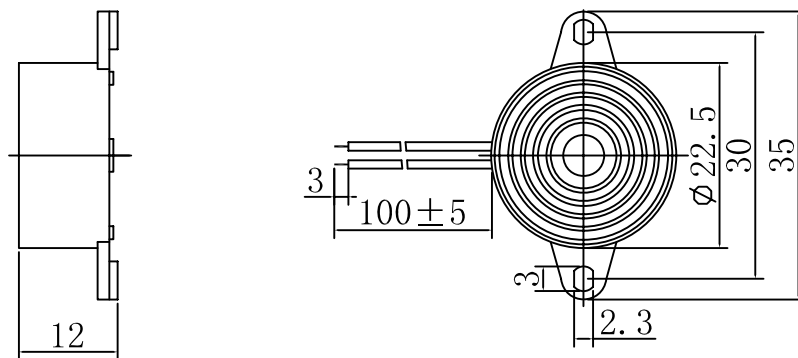


## SPECIFICATION SHEET

Type	Unit	LD-BZPG-2312
Rated voltage	V	12
Operating Voltage	V	1.5 - 24
*Rated Current (MAX)	mA	12
* Min Sound Output at 30cm	dB	85
*Resonant Frequency	Hz	3300±500
Tone Nature		Single
Lead Wire/Lead pin material		UL1007 AWG26
Operating Temperature	° C	-20 - +60
Storage Temperature	° C	-30 - +70
Weight	g	4

\*Value Applying at Rated Voltage(DC).

DIMENSIONS UNIT:mm Tolerance:±0.5mm



Housing material:ABS